



# Intent Networks How to be a Network Engineer in a Programmable Age

Cisco DevNet Webinar Series

Speaker: Hank Preston | Cisco DevNet

Hostess: Kara Sullivan | Cisco Networking Academy

25 October 2017

# Welcome to the 3rd session of the Cisco DevNet webinar series

- Use the Q and A panel to ask questions.
- Use the Chat panel to communicate with attendees and panelists.
- A link to a recording of the session will be sent to all registered attendees.
- Please take the feedback survey at the end of the webinar.

# Cisco DevNet Series

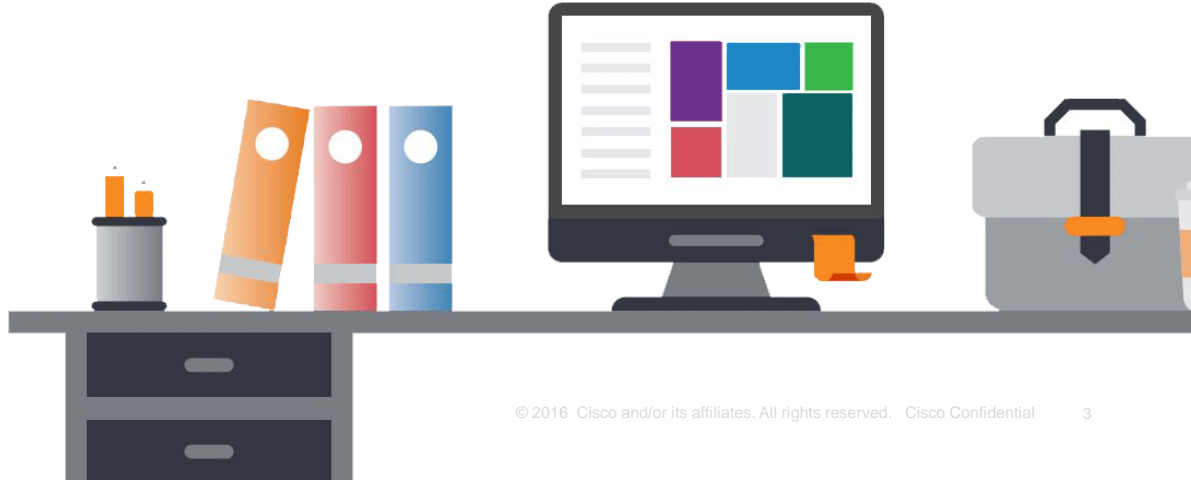
Session 1: Intro to Software & Programmability (Available On-Demand)

Session 2: Intro to Coding (Available On-Demand)

Session 3: Intent Networks – Today!

All Series Details can be Found @ <http://bit.ly/DevNetSeries>

More Sessions to Come!



Joining You  
Today:



Hank Preston III

Developer Evangelist

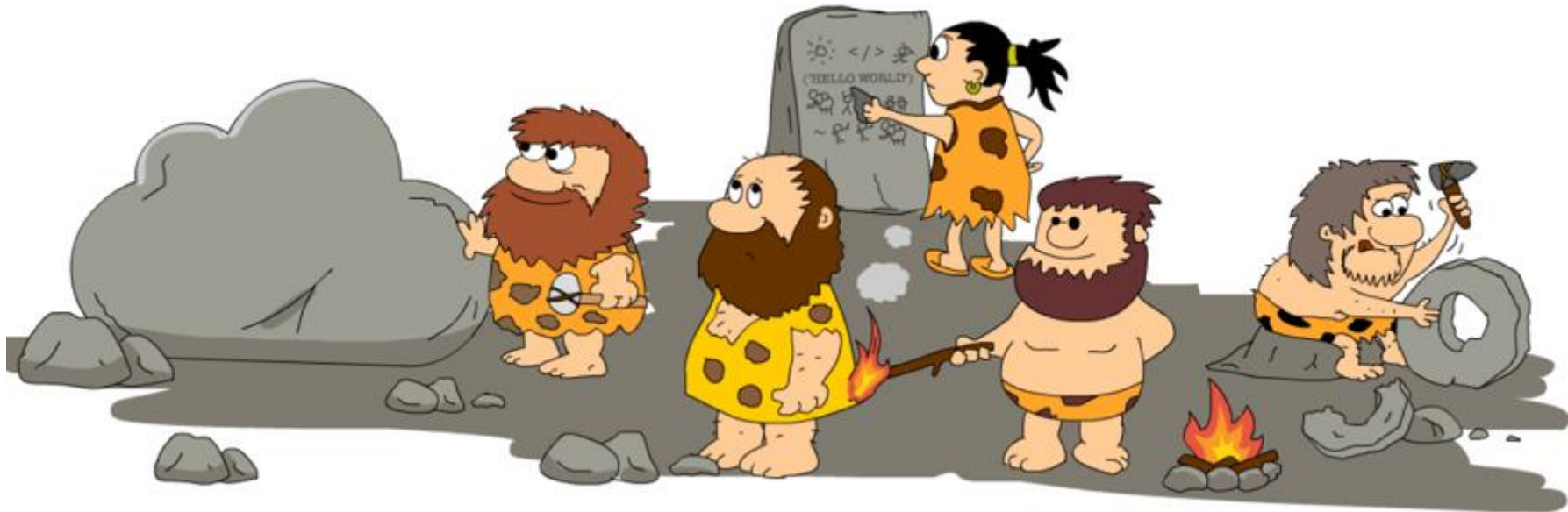
DevNet, Cisco

# Topics to Cover

- The Network Engineer of Old
- The Four Ages of Networking
- Cloud to the Rescue
- The Programmable Network Engineer

## Tomorrow's Network Engineers!





# The Network Engineer of Old

# Meet Carl the Network Engineer

## Programming Skills

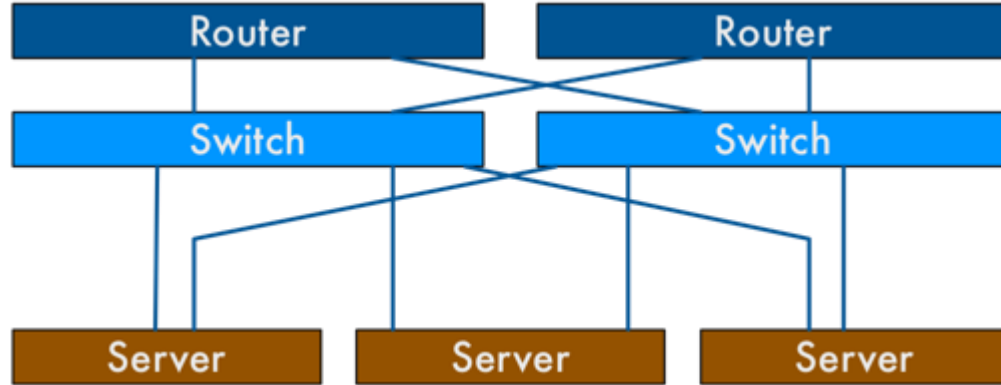
- TCL
- EEM
- Expect Scripts



## Networking Skills

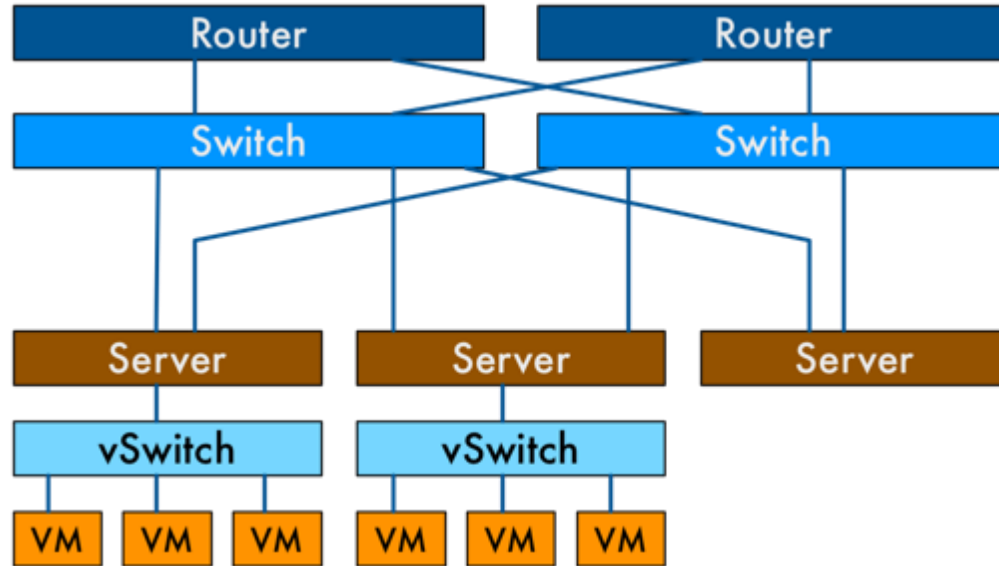
- Spanning-Tree
- Routing Protocols
- QoS
- VPN Design
- Spanning-Tree
- VOIP
- Fibre Channel
- Security Policy
- MPLS
- Spanning-Tree
- Did I mention Spanning-Tree?

# The Network...

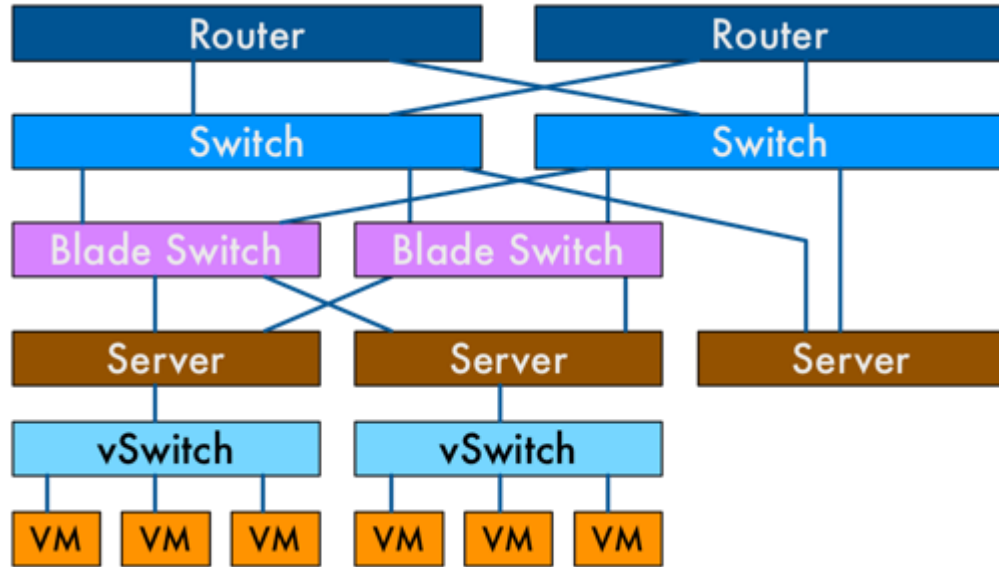




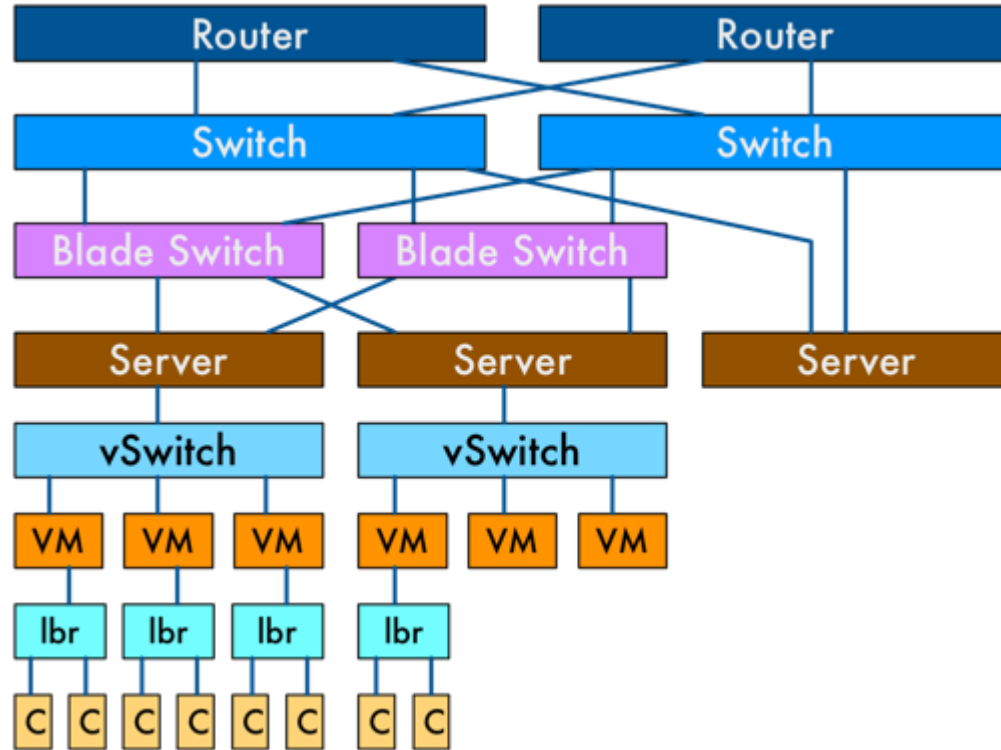
# The Network...



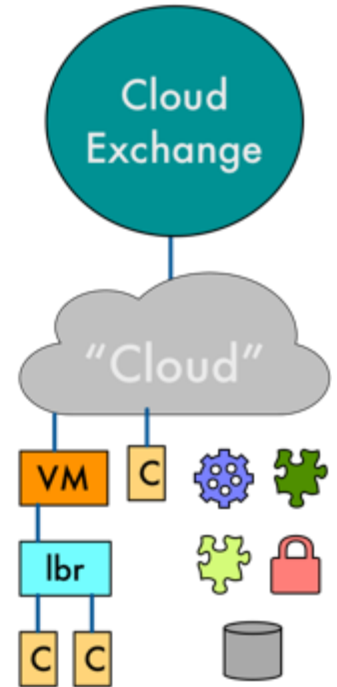
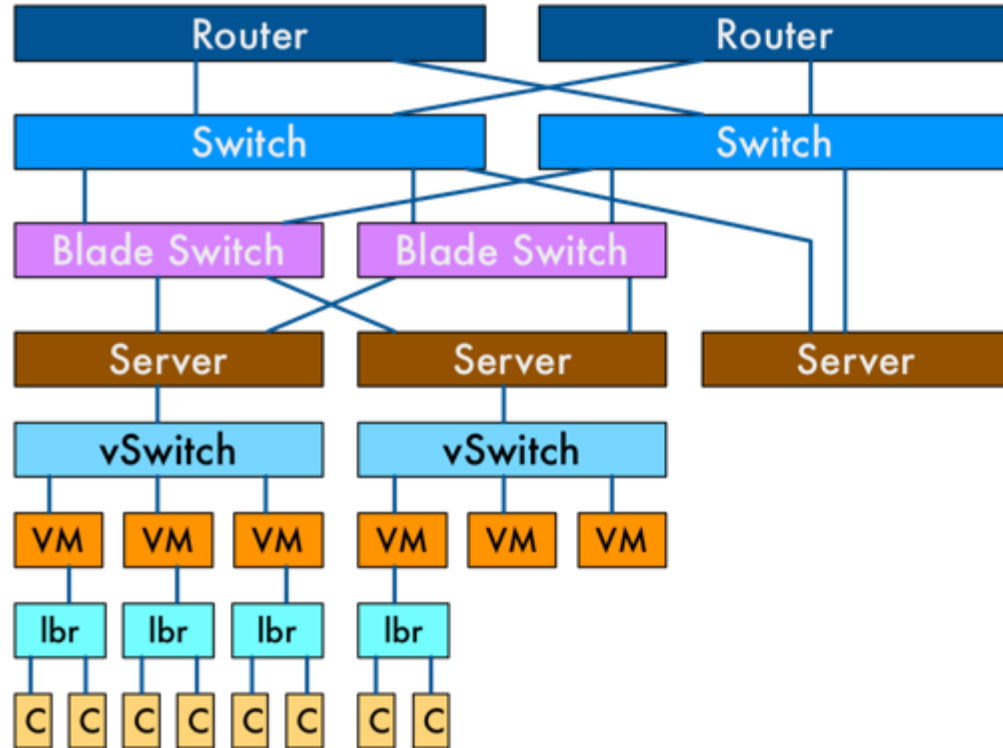
# The Network...



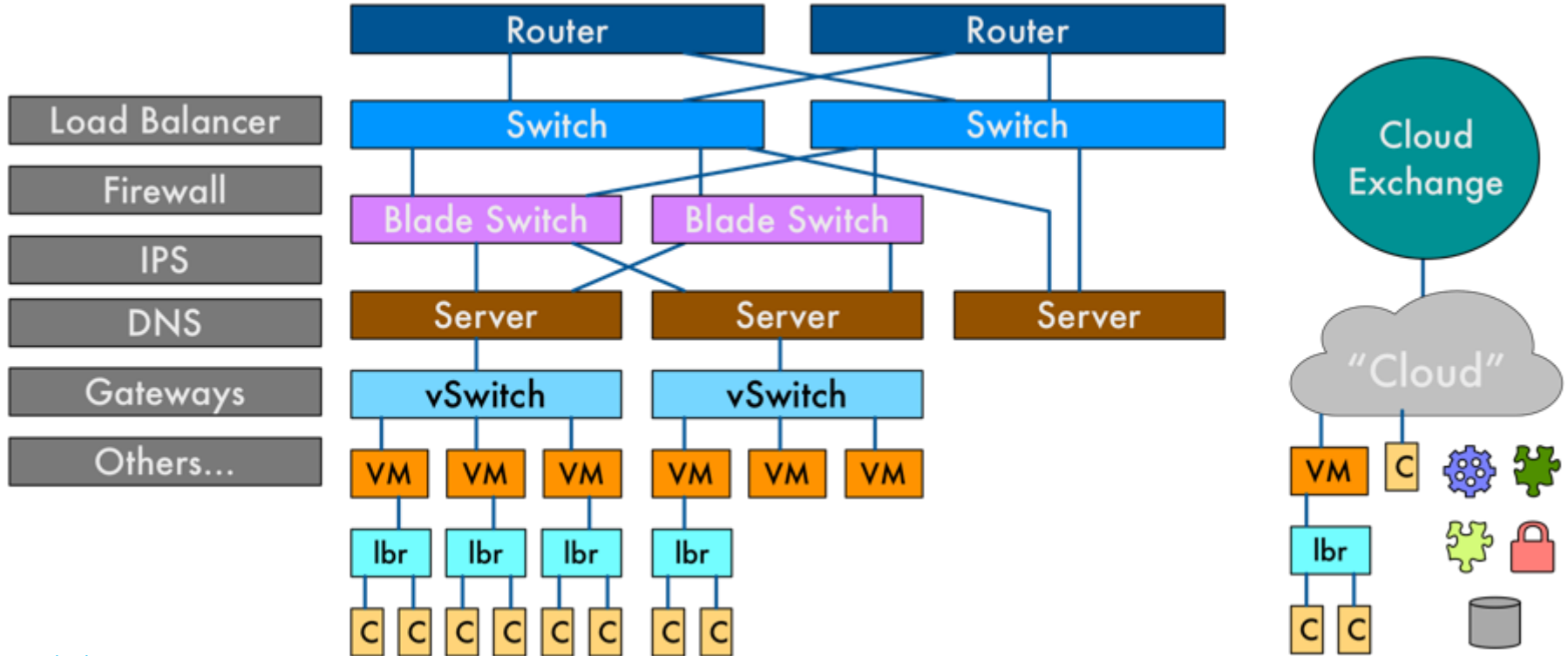
# The Network...



# The Network...



# The Network...



# The OSI Model of Networking...

**Please don't  
ask about this...**

L7: Application

L6: Presentation

L5: Session



L4: Transport

L3: Network

L2: Data Link

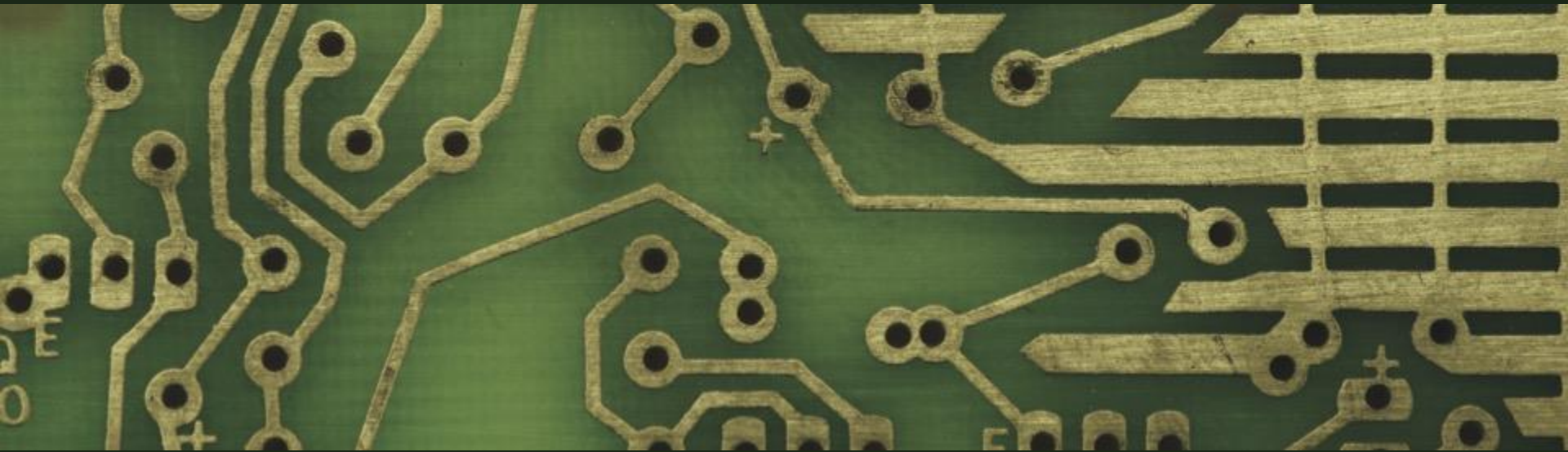
L1: Physical

**Oh Yeah... We  
Got this**

**Black Magic**



# The Four Ages of Networking





Stone Age  
Spanning Tree  
VLANs

## *The Four Ages of Networking.....*





Stone Age  
Spanning Tree  
VLANs



Bronze Age  
Routing Protocols  
WAN Design  
IP-magedon

## *The Four Ages of Networking.....*



## Stone Age

Spanning Tree

VLANs



## Bronze Age

Routing Protocols

WAN Design

IP-magedon



## The Renaissance

SDN

OpenFlow

Controllers

Overlays

MP-BGP

VXLAN

Micro-Segmentation

White Box

# *The Four Ages of Networking.....*



## Stone Age

Spanning Tree

VLANs



## Bronze Age

Routing Protocols

WAN Design

IP-magedon



## The Renaissance

SDN

OpenFlow

Controllers

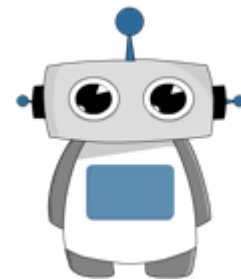
Overlays

MP-BGP

VXLAN

Micro-Segmentation

White Box



## Programmable Age

Cloud

Python

REST / APIs

NETCONF / YANG

“Fabrics”

Network Function  
Virtualization (NFV)

DevOps

Containers

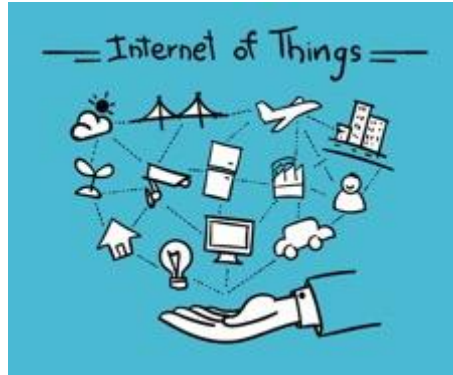
# *The Four Ages of Networking.....*

# App Economy



User Expectations and  
Agility

# Internet of Things



If it isn't connected, don't  
bother...

# Tech Unicorns



Low barrier of entry for  
disruptors

# CLOUD



# The Cloud You Plan to Build 😊



# The Cloud You Plan to Build ☺



The Cloud You End Up With ☹

# The New Infrastructure Stack



Users and  
Developers



Development  
Environment

Vagrant, Docker, Vim, Slack,  
Spark, Git



Architects and  
Operators



Operating System

CoreOS, Rancher, RedHat,  
Ubuntu, Microsoft

Infrastructure

UCS/ACI, HP, vSphere/NSX



# The New Infrastructure Stack



Users and  
Developers

}	Development Environment	Vagrant, Docker, Vim, Slack, Spark, Git
	Delivery Pipeline	GitHub, BitBucket, Jenkins, Team City, Drone, Puppet, Ansible, Chef



Architects and  
Operators

}	Cloud Management and Automation	UCS Director, vRealize, OpenStack, AWS, CloudCenter
	Operating System	CoreOS, Rancher, RedHat, Ubuntu, Microsoft
	Infrastructure	UCS/ACI, HP, vSphere/NSX

# The New Infrastructure Stack



Users and  
Developers

Development Environment	Vagrant, Docker, Vim, Slack, Spark, Git
Delivery Pipeline	GitHub, BitBucket, Jenkins, Team City, Drone, Puppet, Ansible, Chef
Scheduling and Placement	Docker/Swarm, Kubernetes, Mesosphere, Tectonic, Rancher, Rocket
Container Layer	
Applications and Middleware	HAProxy, Cassandra, RabbitMQ, Hadoop, Consul
Cloud Management and Automation	UCS Director, vRealize, OpenStack, AWS, CloudCenter
Operating System	CoreOS, Rancher, RedHat, Ubuntu, Microsoft
Infrastructure	UCS/ACI, HP, vSphere/NSX



Architects and  
Operators

# The New Infrastructure Stack



Users and  
Developers



DevOps  
Engineers



Architects and  
Operators

Development Environment	Vagrant, Docker, Vim, Slack, Spark, Git
Delivery Pipeline	GitHub, BitBucket, Jenkins, Team City, Drone, Puppet, Ansible, Chef
Scheduling and Placement	Docker/Swarm, Kubernetes, Mesosphere, Tectonic, Rancher, Rocket
Container Layer	
Applications and Middleware	HAProxy, Cassandra, RabbitMQ, Hadoop, Consul
Cloud Management and Automation	UCS Director, vRealize, OpenStack, AWS, CloudCenter
Operating System	CoreOS, Rancher, RedHat, Ubuntu, Microsoft
Infrastructure	UCS/ACI, HP, vSphere/NSX

# The New Infrastructure Stack



Users and  
Developers



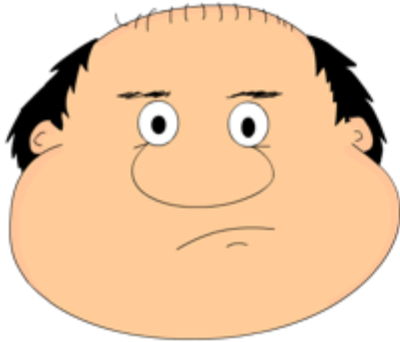
DevOps  
Engineers



Architects and  
Operators

Users and Developers	Development Environment	Vagrant, Docker, Vim, Slack, Spark, Git	PaaS
	Delivery Pipeline	GitHub, BitBucket, Jenkins, Team City, Drone, Puppet, Ansible, Chef	
	Scheduling and Placement	Docker/Swarm, Kubernetes, Mesosphere, Tectonic, Rancher, Rocket	
	Container Layer		
DevOps Engineers	Applications and Middleware	HAProxy, Cassandra, RabbitMQ, Hadoop, Consul	
	Cloud Management and Automation	UCS Director, vRealize, OpenStack, AWS, CloudCenter	
Architects and Operators	Operating System	CoreOS, Rancher, RedHat, Ubuntu, Microsoft	IaaS
	Infrastructure	UCS/ACI, HP, vSphere/NSX	



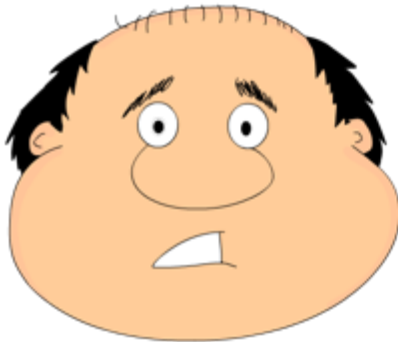


Denial



Anger

# 5 Stages of Grief



Bargaining



Depression



Acceptance

# The Programmable Network Engineer



# Adding Network Programmability Skills!

## Phase 1

- Python
- REST APIs
- JSON/XML
- git/GitHub

## Phase 2

- Linux Skills
- Ansible
- Docker
- NETCONF/YANG

## Phase 3

- Linux Networking
- Container Networking
- NFV

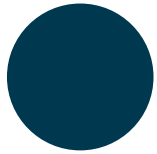
## As Needed

- Network Controllers
- IOT Networking
- Cloud Networking
- NFV
- "DevOps"





# Next Steps!



Linux Unhatched Course – Available Now!

<http://bit.ly/LinuxUnhatched>



Python Essentials and Emerging Tech Workshops – Coming Soon!

